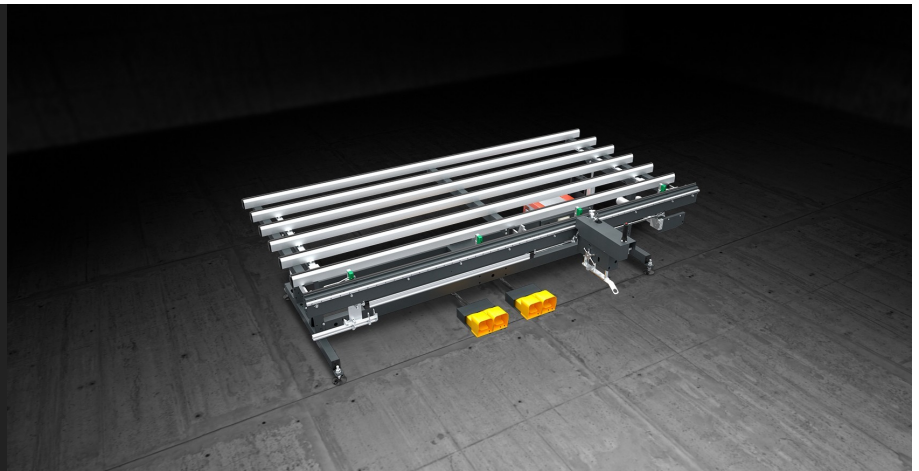




## ***FIT MA***

### Manual Assembly Benches

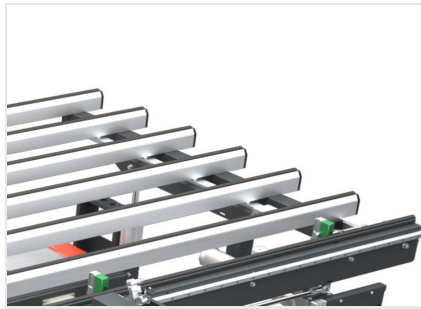


Assembly bench for fitting perimetral band-cut hardware on aluminium, wood and PVC sashes. A system of drop-away vices grips the sash. The bench is equipped with an automatic feeding screwing system and optionally with a system for hardware cutting and measuring with hydro-pneumatic shears.



### Clamping system

A retractable vice system under the work bench enables centred clamping of the frame.



### Support surface in hard anti-friction PVC

The anti-friction hard PVC support surface ensures great smoothness of the frame allowing easy handling.



### Work bench pneumatic tilting

By means of pneumatic footswitch, it is possible to place the bench in an inclined position from 0° (horizontal) to 12° to facilitate hardware assembly operations.



### Automatic screwing unit

The screwing unit with automatic feed runs on horizontal guides.



**FIT MA / MANUAL ASSEMBLY BENCHES****WORK BENCHES**

Hard anti-friction PVC contact surface	●
Pneumatic tilting of work table from 0° (horizontal) to 12°	●
Adjustable work table height (mm)	875 ÷ 925

**WORKPIECE LOCKING**

Vice opening (mm)	290 ÷ 2.840
Adjustable clamping force, max. (N)	740
Self-centring clamping system with retractable bars	●

**CHARACTERISTICS**

Automatic screwing unit mounted on horizontal guide with laser positioning system	●
Belt hardware cutting with automatic stop gauge	○
Air consumption (NI/min)	870
Installed power (kW)	0,35
Length (mm)	3.540
Width (mm)	1.640
Load capacity (kg)	1.960
Weight (kg)	300

Included ● Available ○