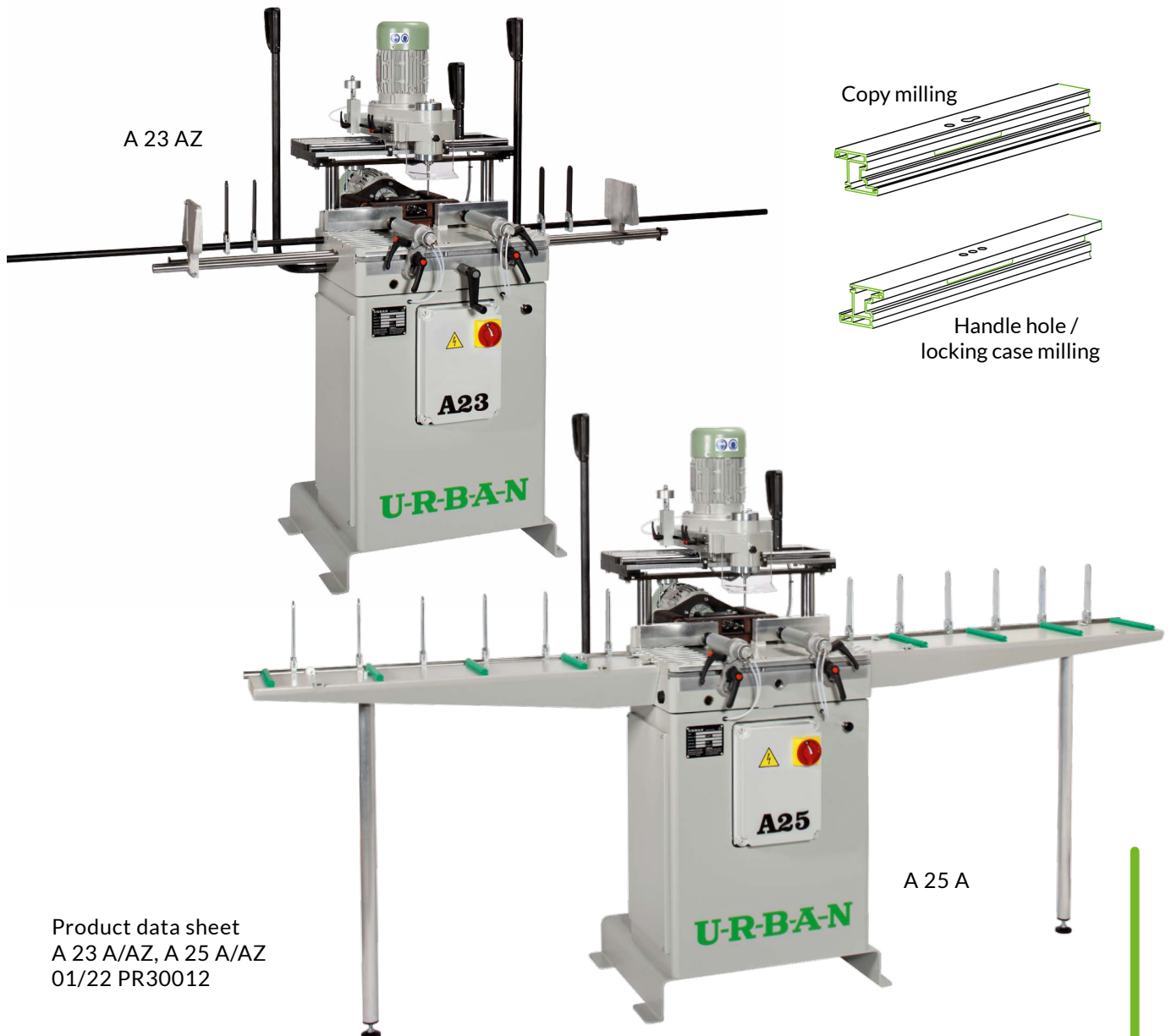


A 23 A/AZ, A 25 A/AZ

Handle Hole Drilling Machine / Copy Router



A 23 AZ

Copy milling

Handle hole /
locking case milling

A 25 A

Product data sheet
A 23 A/AZ, A 25 A/AZ
01/22 PR30012

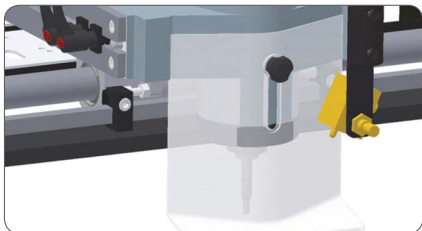
Our know-how - your advantage

Copy router A 23 A / A 23 AZ

- two machining heads, drilling and milling unit
 - manual feed of the handle hole drilling unit
 - 3-spindle drilling head provided with drills 10-12-10
 - 2 horizontal adjustable pneumatic profile clamps with safety-preload pressure
 - with universal copying template
 - copying tracer with a diameter of 5, 8 and 10 mm
 - with lateral stop and 4 hinged stops
 - with machine base
- A 23 AZ with centering unit for centered handle position

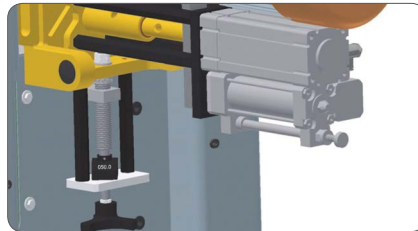
Copy router A 25 A / A 25 AZ

- two machining heads, drilling and milling unit
 - hydro-pneumatic feed of the handle hole drilling unit
 - 3-spindle drilling head provided with drills 10-12-10
 - 2 horizontal adjustable pneumatic profile clamps with safety - preload pressure
 - with universal copying template
 - copying tracer with a diameter of 5, 8 and 10 mm
 - with lateral stop and 4 hinged stops
 - with machine base
- A 25 AZ with centering stop for centered handle position



Spraying device

necessary for aluminium machining .



Drilling unit





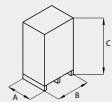
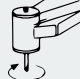

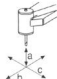
with position display, stepless height adjustment.



3-spindle drilling head

with handle hole drill.

Technical information

	A 23 A / A 23 AZ	A 25 A / A 25 AZ		A 23 AZ / A 23 AZ	A 25 A / A 25 AZ
	160 / 170 kgs	175 / 185 kgs		1,1 kW 900 rpm	1,1 kW 900 rpm
	400 V	400 V		1,1 kW	1,1 kW
	A = 1100 mm B = 900 mm C = 1600 mm	A = 1100 mm B = 900 mm C = 1600 mm		12.000 rpm	12.000 rpm
	6 - 8 bar	6 - 8 bar		a = 110 mm b = 140 mm c = 340 mm	a = 110 mm b = 140 mm c = 340 mm

Technical data are valid for basic machine without options. Size according to layout.

Urban GmbH & Co. Maschinenbau KG

Dornierstraße 5
DE - 87700 Memmingen
Tel.: +49 (0) 8331 858 - 0
E-Mail: urban@u-r-b-a-n.com
www.u-r-b-a-n.com

Subject to errors and modifications